

Our Company

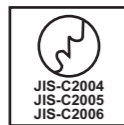
Nylex Group established in 1966 and leading through excellence and innovation, the buzz word at Nylex is innovation and quality, and yes, excelling through it and that it is precisely why, Nylex is way ahead of others in this segment.

Nylex products are manufactured from quality raw material to the required specification of users and can be relied upon to deliver long term durable solutions to customers satisfaction. Nylex, under one roof supplies various items in Machinery, Hardware, Electrical wiring accessories, Switchboard control panel accessories, Porcelain items, Conduit fittings, Wire, Cables, etc. (i.e. from a Screw to each and every part which is used in electrical industry). We have the privilege to export above products worldwide strictly meeting customer quality and delivery requirement.

Our annual growth is almost 50% over the previous year, which alone speaks - of our performance.

We at Nylex are group of trained personnel with each one being updated in their respective fields, motivated personnel in production, quality and marketing. Our motto to "Serve clients exactly to their needs and whilst ensuring timely deliveries." We have the latest facilities for production, testing and have been certified an ISO 9002 Company for establishing quality systems norms. We are able to offer a wide range of products which are type-tested or certified by international authorities. We believe in priceless quality at affordable prices and hence our growth allows us opportunities to serve our clients world-over.

In view of above we may request you to please send us your requirement whatever it may be along with your specification, drawing, etc. and we will send you our best and prompt reply.



NYLEX GROUP
ESTD 1966



MORGAIN Inc.



INTERNATIONAL

OUR MANUFACTURING RANGE



Panel Board Accessories, Cam Locks, Non Metallic Locks, Door Knobs, Hinges, Handles, Insulated Handles, Inspection Window, Mounting Rails, Filters, Buzzer, Switches, Cam Switches, Pilot Lamps, Push Buttons, Control Units, Hour Meter, Tin Copper Cables Terminals, Aluminum, Copper Bi-Metallic Cable Lugs, Analogue Meter, Ammeter/Voltmeter, Frequency Meter, Maximum Demand meter etc. Residual Current Device, Miniature Circuit Breakers, Isolating Switches, Relay and Relay Sockets, Electrical Wiring Accessories, Industrial Plugs and Sockets, Modular Fuse Carriers and Cartridges Fuses, Knife Fuse and Fuse Base, Fuse Puller / Carrier, Connection Blocks, Brass Terminals and Insulated Bus Bar, Line Tapes, Bimetal Branching Terminal, B. I. Connectors, Test Terminal Blocks, Terminal Blocks, Terminals and Connectors, C. T. Current / Voltage Transformer, Control / Current Transformer, PG Cable Glands, Bus Bar Support, Comb Bars, DDLO Fuse Link, Operating Rod, Earthing Accessories.



Galvanized Steel Flexible PVC Coated Conduit, Liquid Tight Flexible PVC Coated Galvanized Conduit, Hot Dipped Galvanized steel Flexible Conduit, HDPE/PVC Flexible Conduit Galvanized Conduit Accessories.



Luminaries and Accessories.

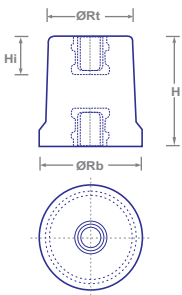


OUR FORTH-COMING PRODUCTS

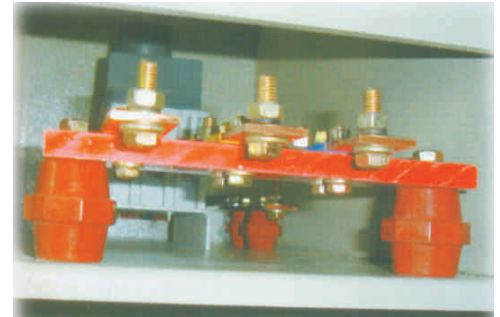


Under Voltage Relay (Single Phase)
Over Voltage Relay (Single Phase)
Under Voltage Relay (Three Phase)
Over Voltage Relay (Three Phase)
Phase Reversal/Phase Loss
Phase unbalance Relay (Three Phase)
Motor Protection Relay Without display (Current Sensing Based Technology)
Motor Protection Relay with Voltage, Amps & Frequency Display (Current Sensing)
Single Phase Ammeter Micro Controller Based Technology with CT Ratio Site Programmable
Alarm Annunciate with Data Logging
Automatic Power Factor Correction(6, 8, 12 Stages)

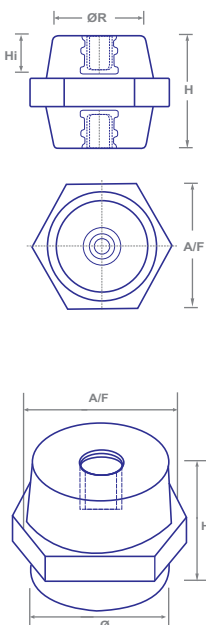
Conical Type Insulators



Height mm	Insert	KAM Code No	Rt Dia mm	Rb Dia mm	Hi mm	Nominal Voltage (AC/DC)
25	M6	KMB-C625 (M6)	19	25	10	400/500
30	M6	KMB-C630 (M6)	25	30	10	600/750
30	M8	KMB-C830 (M8)	25	30	10	600/750
40	M8	KMB-C840 (M8)	33	40	15	1000/1200
40	M10	KMB-C1040 (M10)	33	40	15	1000/1200
50	M10	KMB-C1050 (M10)	40	50	20	1200/1500
50	M12	KMB-C1250 (M12)	40	50	20	1200/1500
60	M10	KMB-C1060 (M10)	42	50	20	1500/1800
60	M12	KMB-C1260 (M12)	42	50	20	1500/1800
70	M10	KMB-C1070 (M10)	41	50	25	2000/2400
70	M12	KMB-C1270 (M12)	41	50	25	2000/2400



Hexagonal Type Insulators



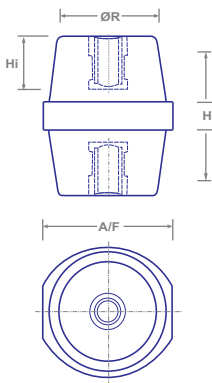
Height mm	Insert	KAM Code No	A/F mm	R Dia mm	Hi mm	Nominal Voltage (AC/DC)
20	M4	KMB-H420 (M4)	18	14	8	300/400
20	M6	KMB-H620 (M6)	18	14	8	300/400
25	M6	KMB-H625 (M6)	21	16	10	400/500
25	M6	KMB-MH625 (M6)	19	17	10	400/500
30	M6	KMB-H630 (M6)	33	25	10	600/750
30	M8	KMB-H830 (M8)	33	26	12	600/750
35	M6	KMB-H635 (M6)	33	26	10	600/750
35	M8	KMB-H835 (M8)	33	26	12	600/750
35	M10	KMB-H1035 (M10)	33	26	12	600/750
40	M8	KMB-H840 (M8)	40	30	15	1000/1200
40	M10	KMB-H1040 (M10)	40	30	15	1000/1200
45	M8	KMB-H845 (M8)	40	32	15	1000/1200
45	M10	KMB-H1045 (M10)	40	32	15	1000/1200
50	M10	KMB-H1050 (M10)	46	37	20	1200/1500
50	M12	KMB-H1250 (M12)	46	37	20	1200/1500
60	M10	KMB-H1060 (M10)	50	38	20	1500/1800
60	M12	KMB-H1260 (M12)	50	38	20	1500/1800
65	M10	KMB-H1065 (M10)	55	41	25	1500/1800
65	M12	KMB-H1265 (M12)	55	41	20	1500/1800
70	M10	KMB-H1070 (M10)	55	41	25	2000/2400
70	M12	KMB-H1270 (M12)	55	41	30	2000/2400
75	M10	KMB-H1075 (M10)	55	42	25	2000/2400
75	M12	KMB-H1275 (M12)	55	42	30	2000/2400
76	M10	KMB-H1076E (M10)	50	33	25	2000/2400

All Dimensions are in MM

Insert : Brass / Steel (Zinc Passivated)

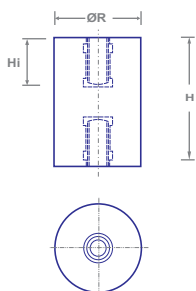
Material : DMC (Dough Moulding Compound) (UL 94 V-0)

Drum Type Insulators



Height mm	Insert	KAM Code No	A/F mm	R Dia mm	Hi mm	Nominal Voltage (AC/DC)
20	M4	KMB-D420 (M4)	18	14	8	300/400
20	M6	KMB-D620 (M6)	18	14	8	300/400
25	M6	KMB-D625 (M6)	21	16	10	400/500
30	M6	KMB-D630 (M6)	33	25	10	600/750
30	M8	KMB-D830 (M6)	33	26	12	600/750
35	M6	KMB-D635 (M6)	32	28	10	600/750
35	M8	KMB-D835 (M8)	32	28	12	600/750
35	M10	KMB-D1035 (M10)	32	26	12	600/750
40	M8	KMB-D840 (M8)	39	31	15	1000/1200
40	M10	KMB-D1040 (M10)	39	31	15	1000/1200
45	M8	KMB-D845 (M8)	41	32	15	1000/1200
45	M10	KMB-D 1045 (M10)	41	32	15	1000/1200
50	M10	KMB-D 1050 (M10)	48	37	20	1200/1500
50	M12	KMB-D1250 (M12)	48	37	20	1200/1500
51	M8	KMB-D851E (M8)	36	27	20	1000/1200
60	M10	KMB-D 1060 (M10)	52	38	20	1500/1800
60	M12	KMB-D1260 (M12)	52	38	20	1500/1800
65	M10	KMB-D1065 (M10)	55	41	25	1500/1800
65	M12	KMB-D1265 (M12)	55	41	20	1500/1800
70	M10	KMB-D1070 (M10)	55	41	25	2000/2400
70	M12	KMB-D1270 (M12)	55	41	30	2000/2400
75	M10	KMB-D1075 (M10)	55	42	25	2000/2400
75	M12	KMB-D1275 (M12)	55	42	30	2000/2400
76	M10	KMB-D1076E (M12)	50	34	25	2000/2400

Cylindrical Type Insulators



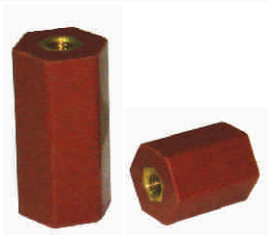
25	M6	KMB-CL2225 (M6)	-	22	10	400/500
25	M8	KMB-CL2225 (M8)	-	22	10	400/500
30	M6	KMB-CL3030 (M6)	-	30	10	600/750
30	M8	KMB-CL3030 (M8)	-	30	15	600/750
30	M10	KMB-CL3030 (M10)	-	30	15	600/750
40	M6	KMB-CL3040 (M6)	-	30	20	1000/1200
40	M8	KMB-CL3040 (M8)	-	30	20	1000/1200
40	M10	KMB-CL3040 (M10)	-	30	20	1000/1200
50	M6	KMB-CL3050 (M6)	-	30	20	1200/1500
50	M8	KMB-CL3050 (M8)	-	30	25	1200/1500
50	M10	KMB-CL3050 (M10)	-	30	25	1200/1500
50	M10	KMB-CL5050 (M10)	-	50	20	1200/1500
60	M6	KMB-CL2660 (M6)	-	26	20	1500/1800
60	M8	KMB-CL2660 (M8)	-	26	25	1500/1800
60	M10	KMB-CL2660 (M10)	-	26	25	1500/1800
60	M6	KMB-CL3060 (M6)	-	30	20	1500/1800
60	M8	KMB-CL3060 (M8)	-	30	20	1500/1800
60	M10	KMB-CL3060 (M10)	-	30	20	1500/1800
63	M6	KMB-CL2663 (M6)	-	26	20	1500/1800
63	M8	KMB-CL2663 (M8)	-	26	20	1500/1800
63	M10	KMB-CL2663 (M10)	-	26	20	1500/1800

All Dimensions are in MM

Insert : Brass / Steel (Zinc Passivated)

Material : DMC (Dough Moulding Compound) (UL 94 V-0)

Full Hexagonal Type Insulators



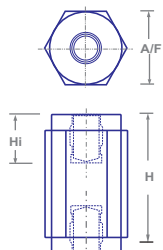
Hex Face To Face (A/F 14mm)

Insert M4

Height H mm	KAM Code	Hi mm	Nominal Voltage (AC/DC)
15	KMB14FH415	5	100/200
20	KMB14FH420	7	300/400
25	KMB14FH425	10	400/500

Insert M5

Height H mm	KAM Code	Hi mm	Nominal Voltage (AC/DC)
15	KMB14FH515	5	100/200
20	KMB14FH520	7	300/400
25	KMB14FH525	10	400/500



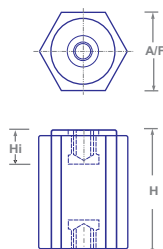
Hex Face To Face (A/F 20MM)

Insert M5

20	KMB20FH520	7	300/400
25	KMB20FH525	10	400/500
30	KMB20FH530	10	600/750
35	KMB20FH535	10	600/750
40	KMB20FH540	15	1000/1200
45	KMB20FH545	15	1000/1200
50	KMB20FH550	20	1200/1500
55	KMB20FH555	20	1200/1500
60	KMB20FH560	20	1500/1800

Insert M6

20	KMB20FH620	7	300/400
25	KMB20FH625	10	400/500
30	KMB20FH630	10	600/750
35	KMB20FH635	10	600/750
40	KMB20FH640	15	1000/1200
45	KMB20FH645	15	1000/1200
50	KMB20FH650	20	1200/1500
55	KMB20FH655	20	1200/1500
60	KMB20FH660	20	1500/1800



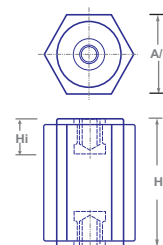
Hex Face To Face (A/F 25MM)

Insert M6

25	KMB25FH625	10	400/500
30	KMB25FH630	10	600/750
35	KMB25FH635	10	600/750
40	KMB25FH640	15	1000/1200
45	KMB25FH645	15	1000/1200
50	KMB25FH650	20	1200/1500
55	KMB25FH655	20	1200/1500
60	KMB25FH660	20	1500/1800

Insert M8

25	KMB25FH825	10	400/500
30	KMB25FH830	10	600/750
35	KMB25FH835	10	600/750
40	KMB25FH840	15	1000/1200
45	KMB25FH845	15	1000/1200
50	KMB25FH850	20	1200/1500
55	KMB25FH855	20	1200/1500
60	KMB25FH860	20	1500/1800



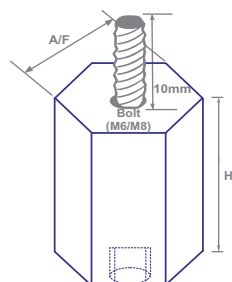
Hex Face To Face (A/F 35mm)

Insert M8

30	KMB35FH830	10	600/750
35	KMB35FH835	10	600/750
40	KMB35FH840	15	1000/1200
45	KMB35FH845	15	1000/1200
50	KMB35FH850	20	1200/1500
55	KMB35FH855	20	1200/1500
60	KMB35FH860	20	1500/1800

Insert M10

30	KMB35FH1030	12	600/750
35	KMB35FH1035	12	600/750
40	KMB35FH1040	15	1000/1200
45	KMB35FH1045	15	1000/1200
50	KMB35FH1050	20	1200/1500
55	KMB35FH1055	20	1200/1500
60	KMB35FH1060	20	1500/1800



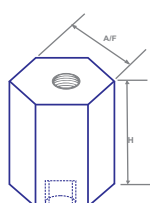
Hex Face To Face (A/F 45mm)

Insert M10

35	KMB45FH1035	12	600/750
40	KMB45FH1040	15	1000/1200
45	KMB45FH1045	15	1000/1200
50	KMB45FH1050	20	1200/1500
55	KMB45FH1055	20	1200/1500
60	KMB45FH1060	20	1500/1800
70	KMB45FH1070	25	1500/1800
80	KMB45FH1080	30	2000/2400
90	KMB45FH1090	30	3400/4000
100	KMB45FH10100	30	3400/4000

Insert M12

35	KMB45FH1235	12	600/750
40	KMB45FH1240	15	1000/1200
45	KMB45FH1245	15	1000/1200
50	KMB45FH1250	20	1200/1500
55	KMB45FH1255	20	1200/1500
60	KMB45FH1260	20	1500/1800
70	KMB45FH1270	20	1500/1800
80	KMB45FH1280	30	2000/2400
90	KMB45FH1290	30	3400/4000
100	KMB45FH12100	30	3400/4000



All Dimensions are in MM

Insert : Brass / Steel (Zinc Passivated)

Material : DMC (Dough Moulding Compound) (UL 94 V-0)

Octagonal Hex Insulators



Height (H) mm	KAM code
20	KMB-OH420 (M4)
25	KMB-OH425 (M4)
30	KMB-OH630 (M6)
35	KMB-OH635 (M6)
40	KMB-OH840 (M8)
45	KMB-OH845 (M8)
50	KMB-OH1050 (M10)
55	KMB-OH1055 (M10)
60	KMB-OH1060 (M10)
60	KMB-OH1260 (M12)
76	KMB-OH1276 (M12)

Round Insulators



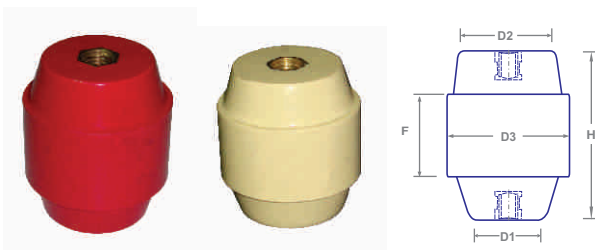
Height (H) mm	KAM code
35	KMB-RO635 (M6)
40	KMB-RO840 (M8)
50	KMB-RO1050 (M10)

Double Hex Insulators



Height (H) mm	KAM code
25	KMB-DH625 (M6)
30	KMB-DH630 (M6)
35	KMB-DH635 (M6)
35	KMB-DH835 (M8)
40	KMB-DH840 (M8)
50	KMB-DH1050 (M10)

Barrel Type



Height mm	Insert	KAM Code No	D1	D2	D3	F
35	M10	KMB-BT1035 (M10)	35	42	48	9
40	M8	KMB-D840 (M8)	35	42	46	15
45	M10	KMB-D1045 (M10)	35	43	48	18
50	M10	KMB-D1050 (M10)	35	42	46	25
55	M10	KMB-D1055 (M10)	35	43	48	28

All Dimensions are in MM
 Insert : Brass / Steel (Zinc Passivated)
 Material : DMC (Dough Moulding Compound) (UL 94 V-0)

Round Hex Insulators

Round & Hex Face To Face (A/F 20mm)

Insert M5

Height H mm	KAM Code	Hi mm	Nominal Voltage (AC/DC)
20	KMB20RX520	7	300/400
25	KMB20RX525	10	400/500

Insert M6

Height H mm	KAM Code	Hi mm	Nominal Voltage (AC/DC)
20	KMB20RX620	7	300/400
25	KMB20RX625	10	400/500

Round & Hex Face To Face (A/F 30mm)

Insert M8

Height H mm	KAM Code	Hi mm	Nominal Voltage (AC/DC)
30	KMB30RX830	12	600/750
35	KMB30RX835	12	600/750
40	KMB30RX840	15	1000/1200

Insert M10

Height H mm	KAM Code	Hi mm	Nominal Voltage (AC/DC)
30	KMB30RX1030	12	600/750
35	KMB30RX1035	12	600/750
40	KMB30RX1040	15	1000/1200

Round & Hex Face To Face (A/F 40mm)

Insert M10

Height H mm	KAM Code	Hi mm	Nominal Voltage (AC/DC)
30	KMB40RX1030	12	600/750
35	KMB40RX1035	12	600/750
40	KMB40RX1040	15	1000/1200
45	KMB40RX1045	15	1000/1200
50	KMB40RX1050	20	1200/1500
55	KMB40RX1055	20	1200/1500
60	KMB40RX1060	20	1500/1800
65	KMB40RX1065	25	1500/1800
70	KMB40RX1070	25	2000/2400

Insert M12

Height H mm	KAM Code	Hi mm	Nominal Voltage (AC/DC)
40	KMB40RX1240	15	1000/1200
45	KMB40RX1245	15	1000/1200
50	KMB40RX1250	20	1200/1500
55	KMB40RX1255	20	1200/1500
60	KMB40RX1260	20	1500/1800
65	KMB40RX1265	20	1500/1800
70	KMB40RX1270	20	1500/1800

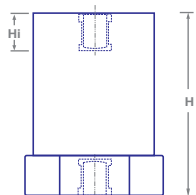
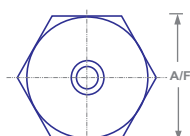
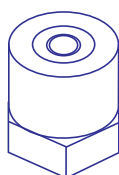
Round & Hex Face To Face (A/F 60mm)

Insert M12

Height H mm	KAM Code	Hi mm	Nominal Voltage (AC/DC)
40	KMB60RX1240	15	1000/1200
50	KMB60RX1250	20	1200/1500
60	KMB60RX1260	20	1500/1800
70	KMB60RX1270	20	1500/1800
80	KMB60RX1280	30	1500/1800

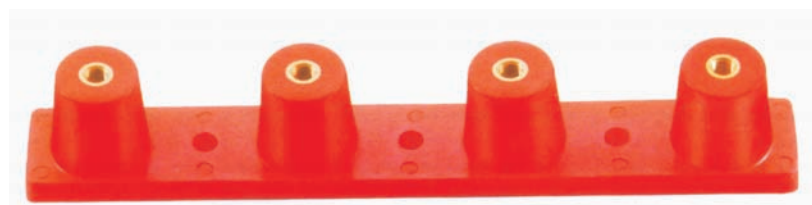
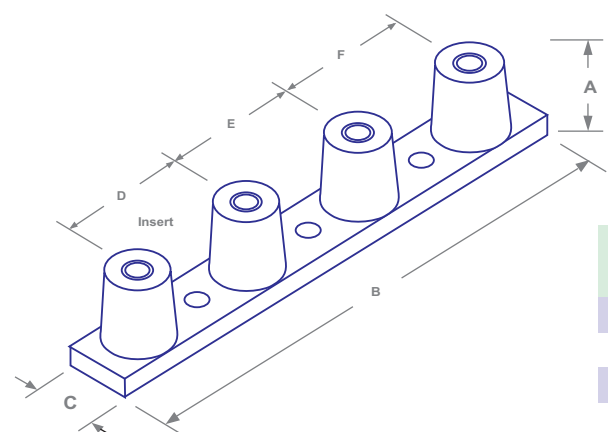
Insert M16

Height H mm	KAM Code	Hi mm	Nominal Voltage (AC/DC)
50	KMB60RX1650	20	1200/1500
60	KMB60RX1660	20	1500/1800
70	KMB60RX1670	20	1500/1800
80	KMB60RX1680	30	2000/2400



Combi Four Pole Conical Insulators

4C Series



KAM	Code Dimension						Insert
	A	B	C	D	E	F	
4C 525	25	120	20	35	34	35	M5
4C 630	30	185	25	52	52	52	M6
4C 845	45	260	35	70	70	70	M8

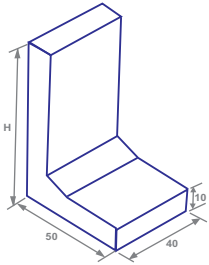
All Dimensions are in MM

Insert : Brass / Steel (Zinc Passivated)

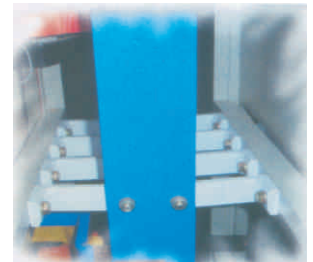
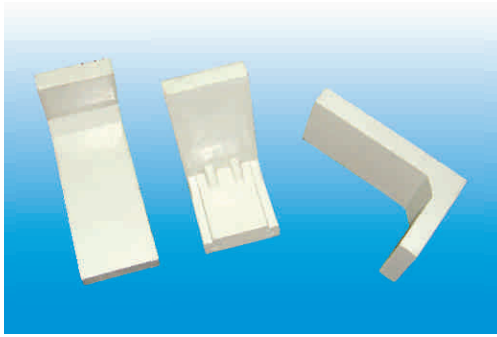
Material : DMC (Dough Moulding Compound) (UL 94 V-0)

Single Insulators

L-Supports

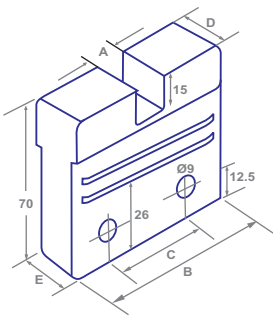


Height (H) mm	KAM code
60	KMB-LS60
85	KMB-LS85
100	KMB-LS100
125	KMB-LS125

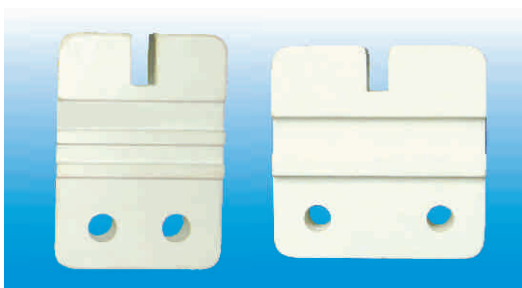


Finger Type Insulators

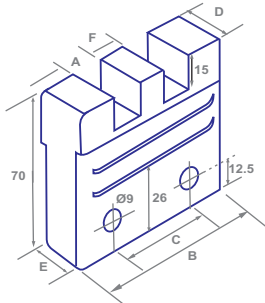
One Way Adjustable Finger Type Supports



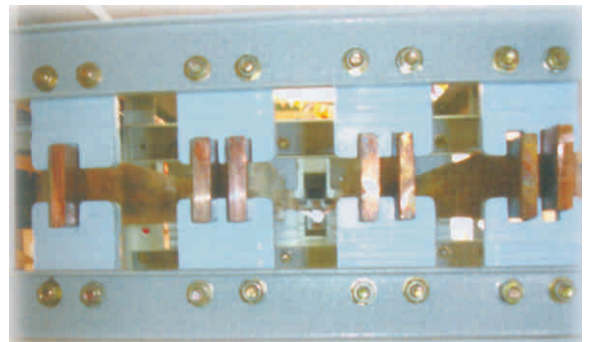
Busbar	KAM code	Dimension					
		A	B	C	D	E	
6 mm X 1 run	KMB-FS 106 S	7	50	22	14	10	
10 mm X 1 run	KMB-FS 110 S	11	50	22	14	10	
12 mm X 1 run	KMB-FS 112 S	13.7	50	22	14	10	
6 mm X 1 run	KMB-FS 106 W	7	60	32	14	10	
10 mm X 1 run	KMB-FS 110 W	11	60	32	14	10	
12 mm X 1 run	KMB-FS 112 W	13.7	60	32	14	10	
6 mm X 1 run	KMB-FS 106 K	7	70	40	20	16	
10 mm X 1 run	KMB-FS 110 K	11	70	40	20	16	
12 mm X 1 run	KMB-FS 112 K	13.7	70	40	20	16	



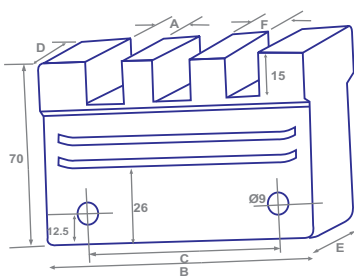
Two Way Adjustable Finger Type Supports



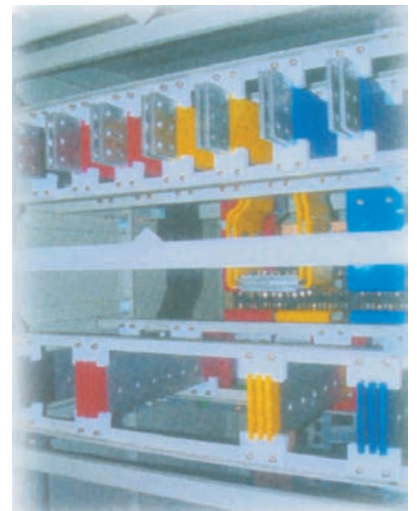
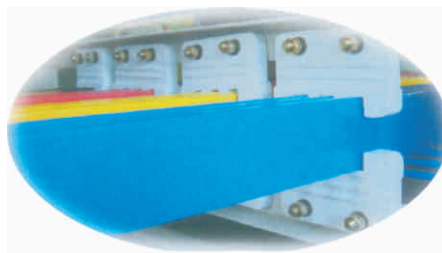
Busbar	KAM code	Dimension					
		A	B	C	D	E	F
6 mm X 2 runs	KMB-FS 206 W	7	60	32	14	10	5.8
10 mm X 2 runs	KMB-FS 210 W	11	60	32	14	10	9
12 mm X 2 runs	KMB-FS 212 W	13.7	70	32	14	10	11.9
6 mm X 2 runs	KMB-FS 206 K	7	70	40	20	16	5.8
10 mm X 2 runs	KMB-FS 210 K	11	70	40	20	16	9
12 mm X 2 runs	KMB-FS 212 K	13.7	70	40	20	16	11.9



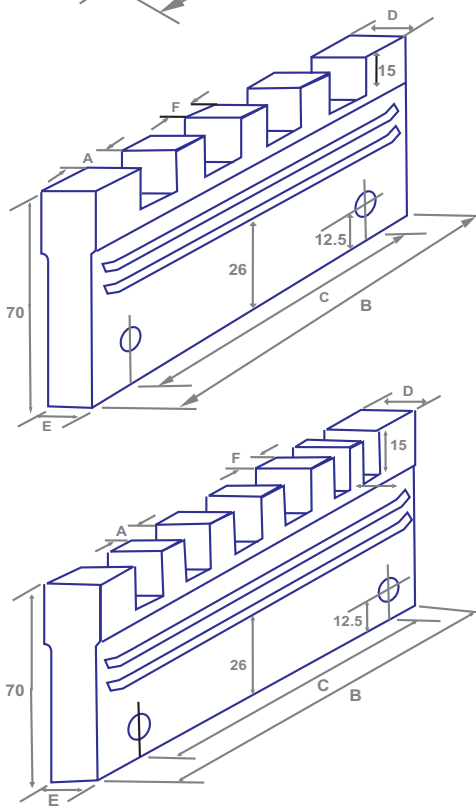
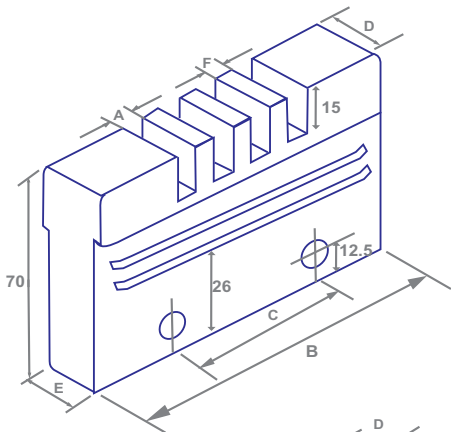
Three Way Adjustable Finger Type Supports



Busbar	KAM code	Dimension					
		A	B	C	D	E	F
6 mm X 3 runs	KMB-FS 306 W	7	70	32	14	10	5.8
10 mm X 3 runs	KMB-FS 310 W	11	80	50	14	10	9
12 mm X 3 runs	KMB-FS 312 W	13.7	90	50	15	11	11.9
6 mm X 3 runs	KMB-FS 306 K	7	70	40	20	16	5.8
10 mm X 3 runs	KMB-FS 310 K	11	100	50	20	16	9
12 mm X 3 runs	KMB-FS 312 K	13.7	100	50	20	16	11.9



Four Way Adjustable Finger Type Supports

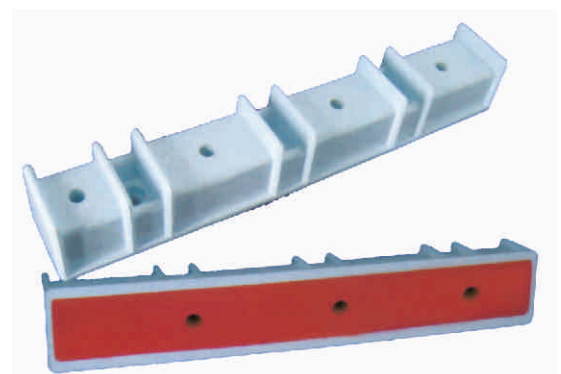
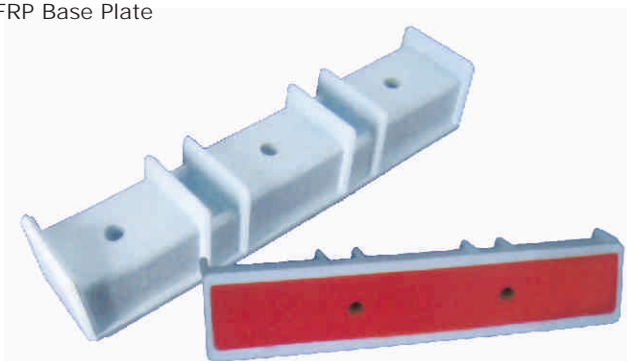


Busbar	KAM code	Dimension					
		A	B	C	D	E	F
6 mm X 4 runs	KMB-FS 406 W	7.2	80	50	14	10	5.8
6 mm X 4 runs	KMB-FS 406 K	7.2	100	50	20	16	5.8
10 mm X 4 runs	KMB-FS 410 K	11	130	80	20	16	9.0
12 mm X 4 runs	KMB-FS 412 K	13.7	130	80	20	16	1.9
6 mm X 5 runs	KMB-FS 506 K	7	100	50	20	16	**
6 mm X 6 runs	KMB-FS 606 K	11	100	50	20	16	**
6 mm X 8 runs	KMB-FS 806 K	13.7	130	80	25	20	**

Busbar	KAM code	Dimension					
		A	B	C	D	E	F
6 mm X 1 run	KMB-FS 106	7	60	32	10	16	**
10 mm X 1 run	KMB-FS 110	11	60	32	10	16	**
12 mm X 1 run	KMB-FS 112	13.7	60	32	10	16	**
6 mm X 2 runs	KMB-FS 206	7	60	32	10	16	5.8
10 mm X 2 runs	KMB-FS 210	11	60	32	10	16	9
12 mm X 2 runs	KMB-FS 212	13.7	70	32	10	16	11.9
6 mm X 3 runs	KMB-FS 306	7	70	32	10	16	5.8

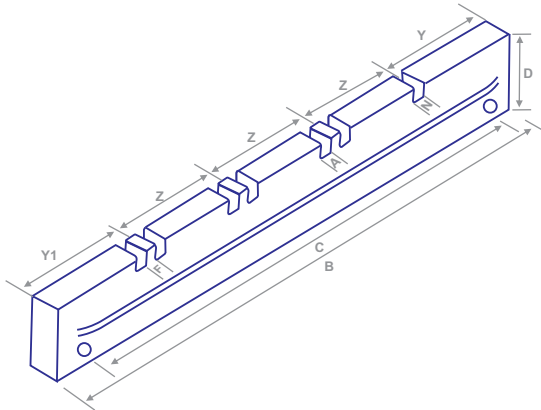
Busbar with FRP Base Plate

Cat No. KMBBBS 01 -53x3 / 27x1 TPN
with FRP Base Plate

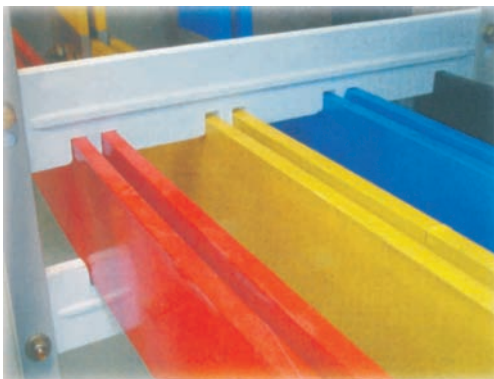


Cat No. KMBBBS 02 -53x3 TP
with FRP Base Plate

Triple Pole Neutral (TPN) Support for Double Busbar

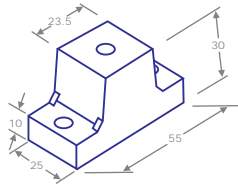
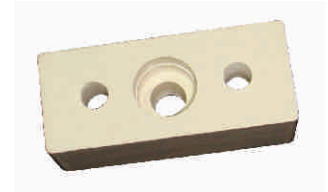
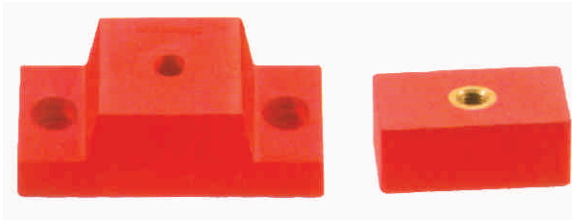


Busbar	KAM	Dimension								
		A	B	C	D	N	Z	Y	Y1	
6mmX1run/ph & 6mmX1run-N	KMBTPN-107/30	7.0	300	280	50	7.0	65	52.5	52.5	
10mmX1run/ph & 6mmX1run-N	KMBTPN-111/30	11.0	300	280	50	7.0	65	52.5	52.5	
12mmX1run/ph & 6mmX1run-N	KMBTPN-114/30	14.0	300	280	50	7.0	65	52.5	52.5	
6mmX1run/ph & 6mmX1run-N	KMBTPN-107/35	7.0	350	328	50	7.0	75	62.5	62.5	
10mmX1run/ph & 6mmX1run-N	KMBTPN-111/35	11.0	350	328	50	7.0	75	62.5	62.5	
12mmX1run/ph & 6mmX1run-N	KMBTPN-114/35	14.0	350	328	50	7.0	75	62.5	62.5	
6mmX1run/ph & 6mmX1run-N	KMBTPN-107/42	7.0	420	396	60	7.0	100	52.5	67.5	
10mmX1run/ph & 6mmX1run-N	KMBTPN-111/42	11.0	420	396	60	7.0	100	52.5	67.5	
12mmX1run/ph & 6mmX1run-N	KMBTPN-114/42	14.0	420	396	60	7.0	100	52.5	67.5	
6mmX1run/ph & 6mmX1run-N	KMBTPN-107/55	7.0	550	525	60	7.0	125	75.0	100	
10mmX1un/ph & 6mmX1run-N	KMBTPN-111/55	11.0	550	525	60	7.0	125	75.0	100	
12mmX1un/ph & 6mmX1run-N	KMBTPN-114/55	14.0	550	525	60	7.0	125	75.0	100	

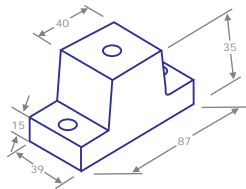


Busbar	KAM Code	Dimension								
		A	B	C	D	N	Z	Y	Y1	F
6mmX2runs/ph & 6mmX1run-N	KMBTPN-207/35	7.0	350	328	50	7.0	70	62.0	78.0	5.8
10mmX2runs/ph & 10mmX1run-N	KMBTPN-211/35	11.0	350	328	50	11.0	70	62.0	78.0	9.0
12mmX2runs/ph & 12mmX1run-N	KMBTPN-214/35	13.8	350	328	50	13.8	70	62.0	78.0	11.5
6mmX2runs/ph & 6mmX1run-N	VTPN-207/42	7.0	420	396	60	7.0	100	52.5	67.5	5.8
10mmX2runs/ph & 10mmX1run-N	KMBTPN-211/42	11.0	420	396	60	11.0	100	52.5	67.5	9.0
12mmX2runs/ph & 12mmX1run-N	KMBTPN-214/42	13.8	420	396	60	13.8	100	52.5	67.5	11.5
6mmX2runs/ph & 6mmX1run-N	KMBTPN-207/55	7.0	550	525	60	7.0	125	75.0	100	5.8
10mmX2runs/ph & 10mmX1run-N	KMBTPN-211/55	11.0	550	525	60	11.0	125	75.0	100	9.0
12mmX2runs/ph & 12mmX1run-N	KMBTPN-214/55	13.8	550	525	60	13.8	125	75.0	100	11.5

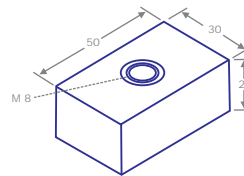
Horizontal Bar Insulators



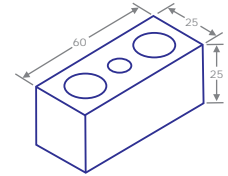
SP-30



SP-35

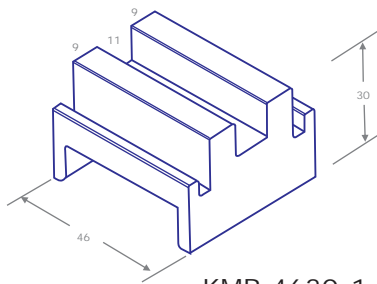


NT-50

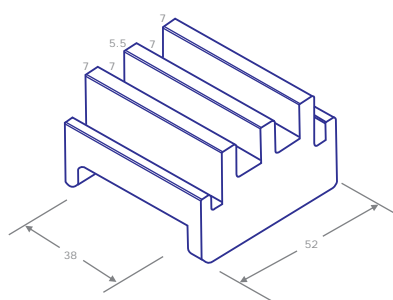
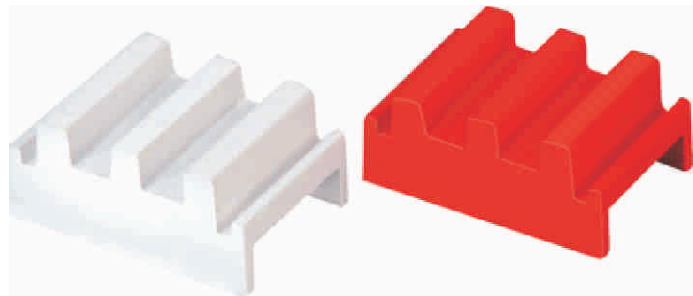


NT-60

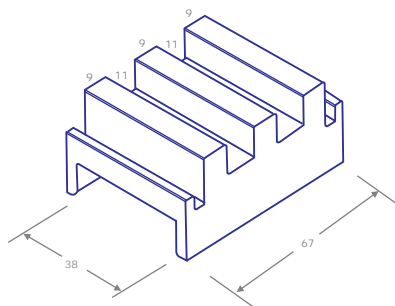
Vertical Bar Insulators



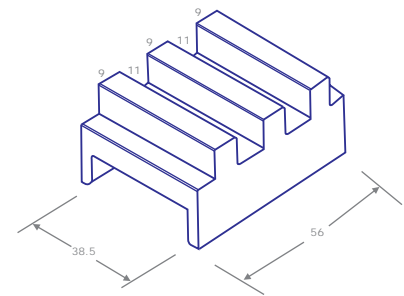
KMB 4630-1



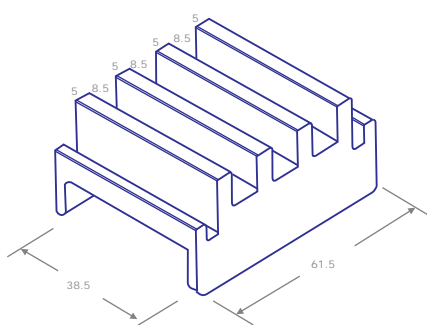
KMB 3852-2



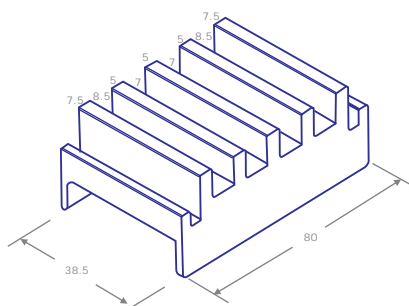
KMB 3867-2



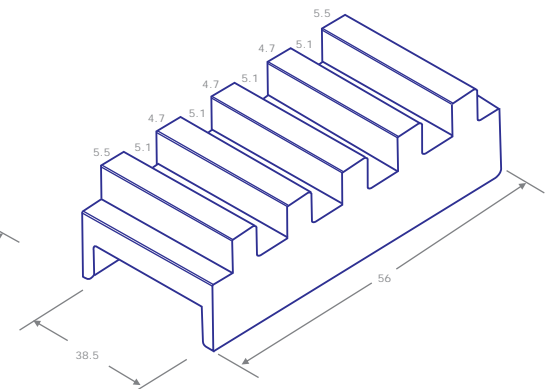
KMB 3856-2



KMB 3861-3

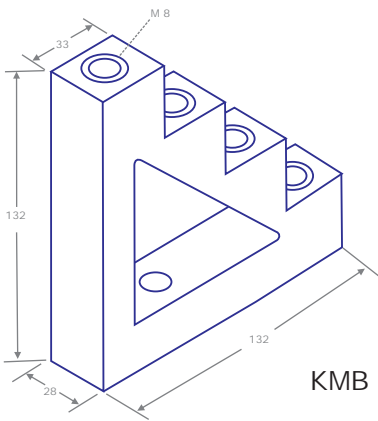


KMB 3880-4

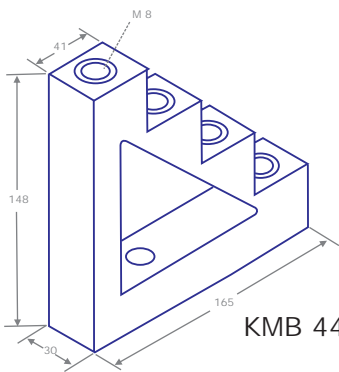


KMB 3856-4

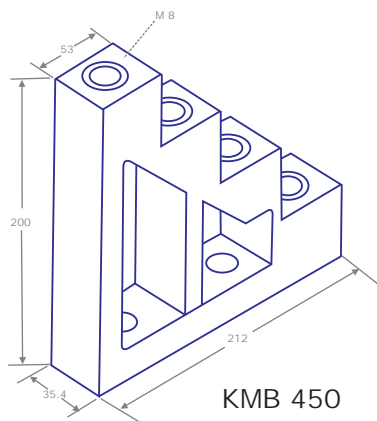
Step Insulators



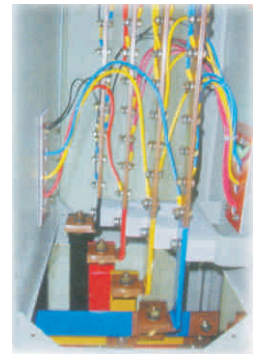
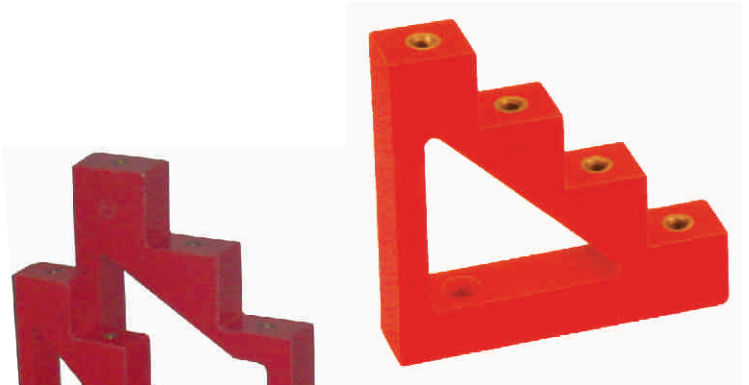
KMB 430

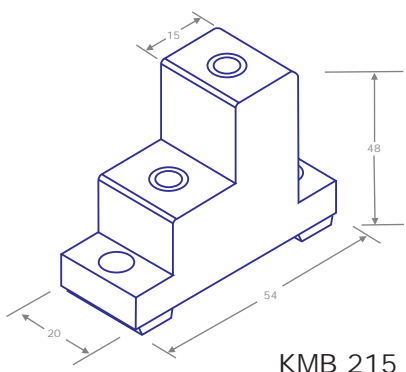
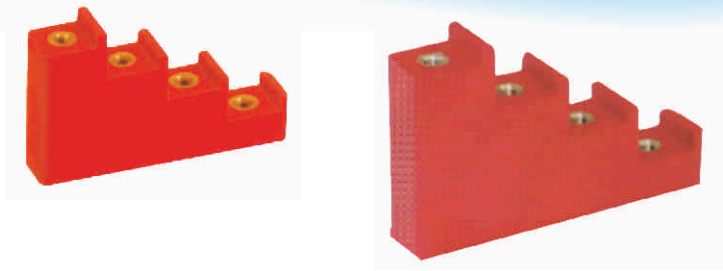


KMB 440

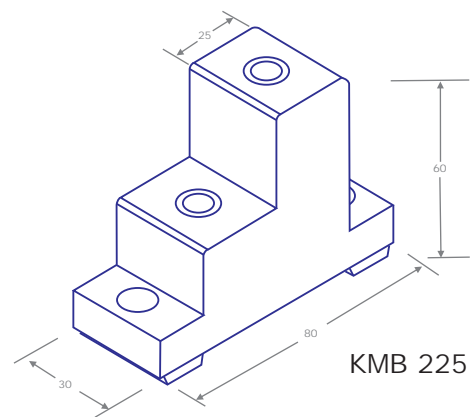


KMB 450

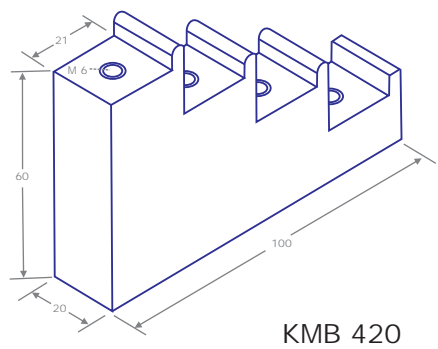




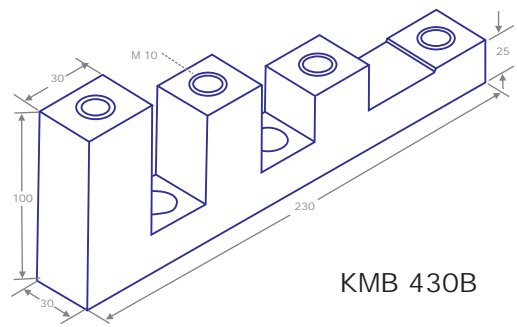
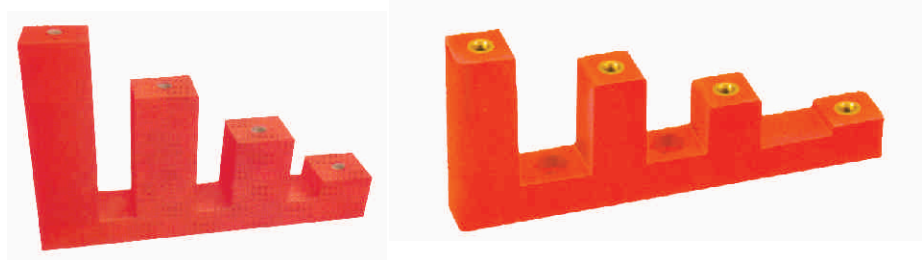
KMB 215



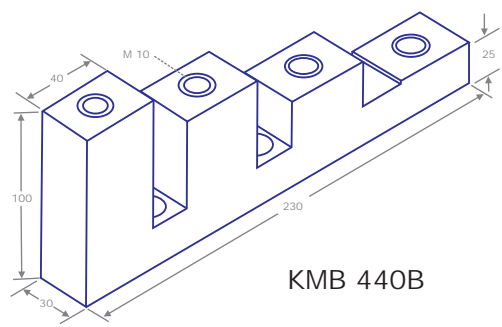
KMB 225



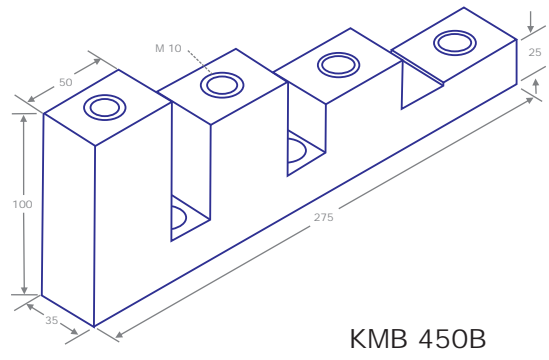
KMB 420



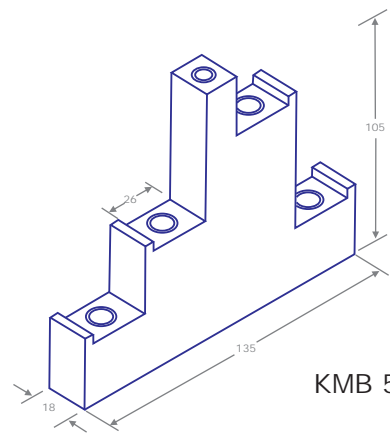
KMB 430B



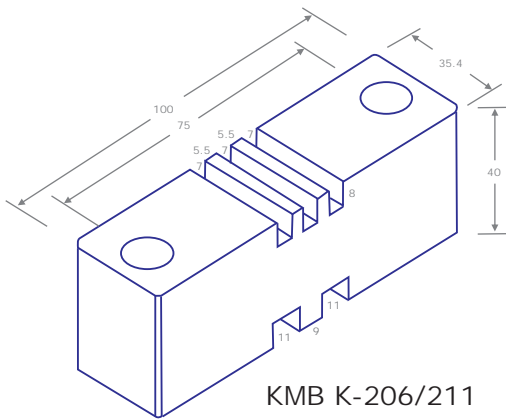
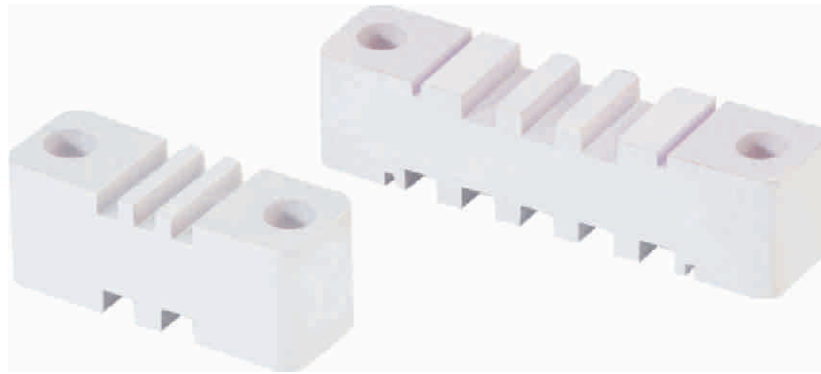
KMB 440B



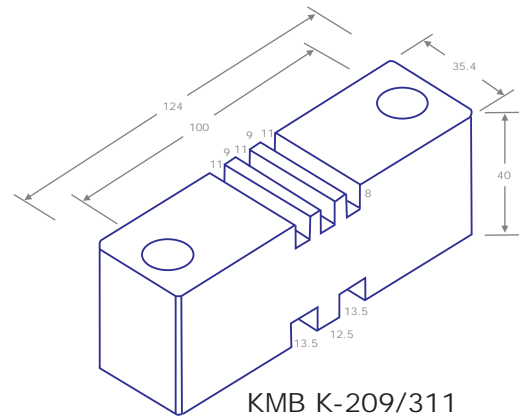
KMB 450B



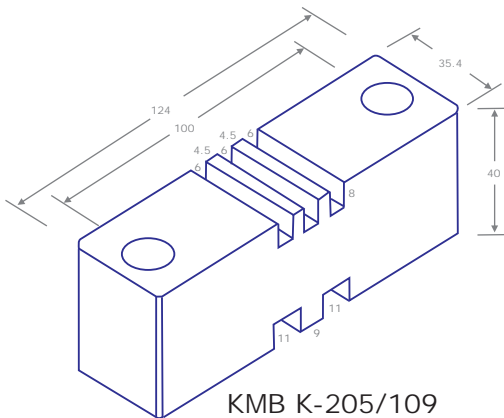
KMB 525



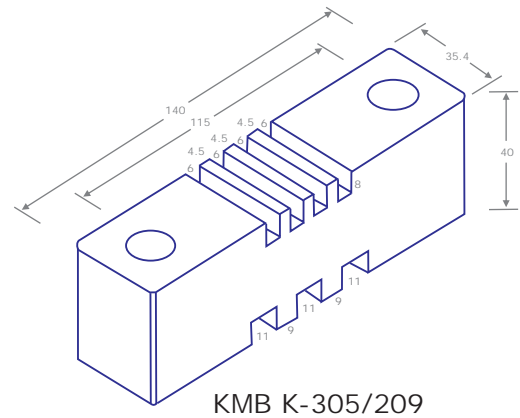
KMB K-206/211



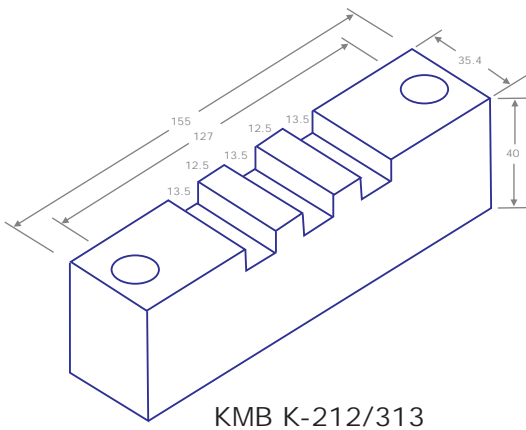
KMB K-209/311



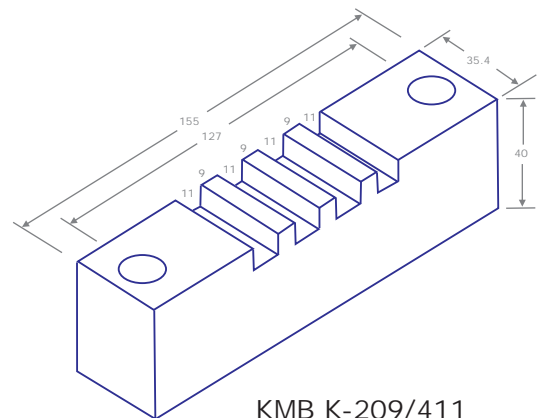
KMB K-205/109



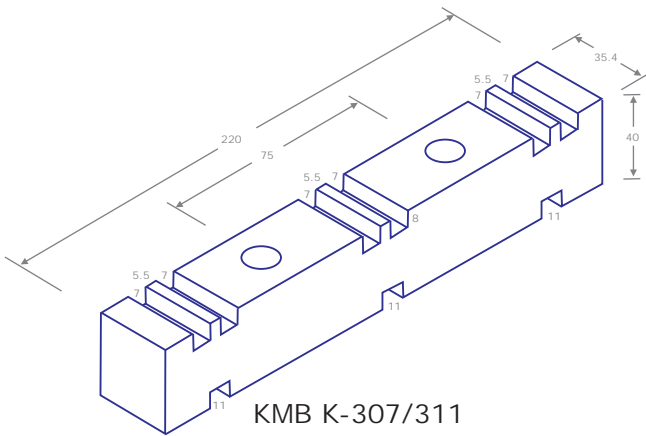
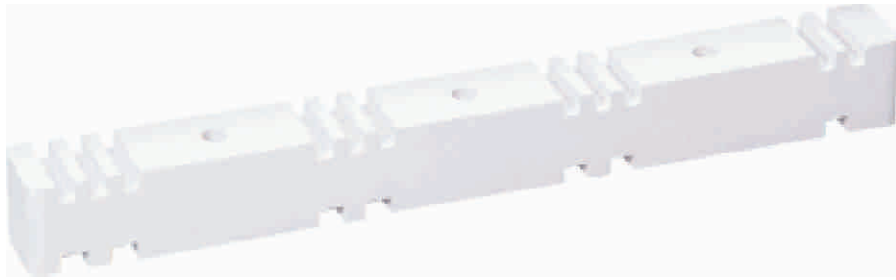
KMB K-305/209



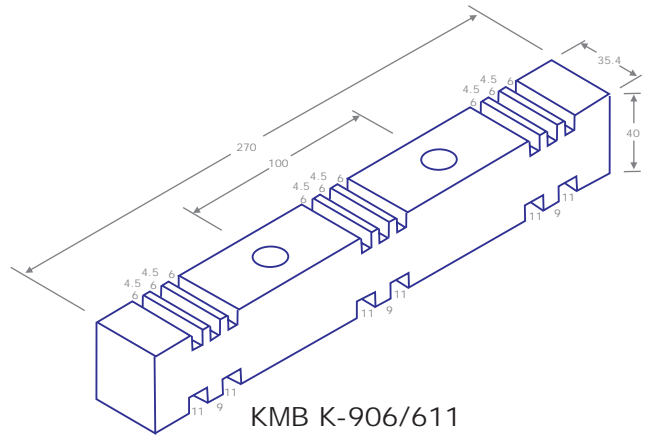
KMB K-212/313



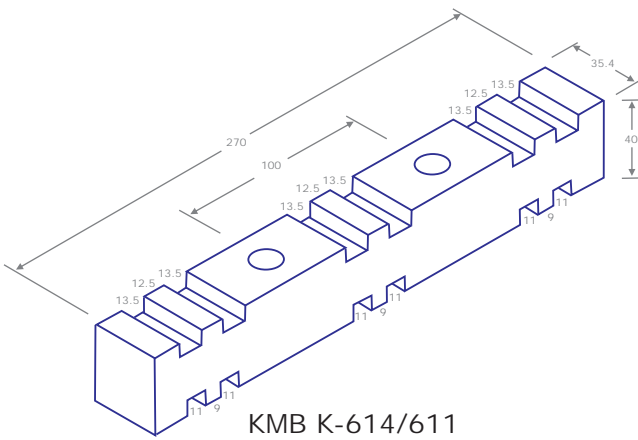
KMB K-209/411



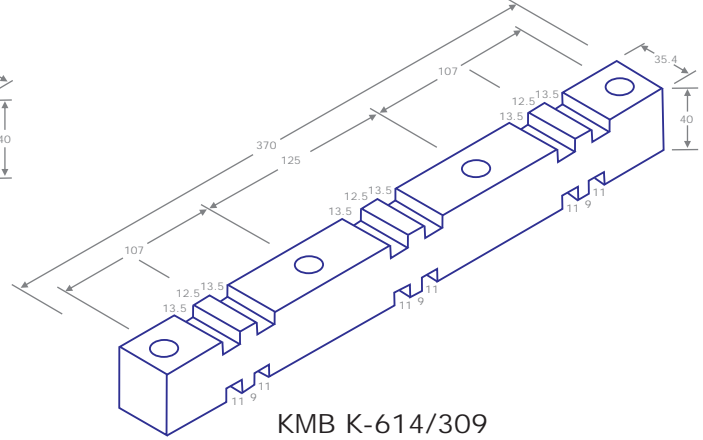
KMB K-307/311



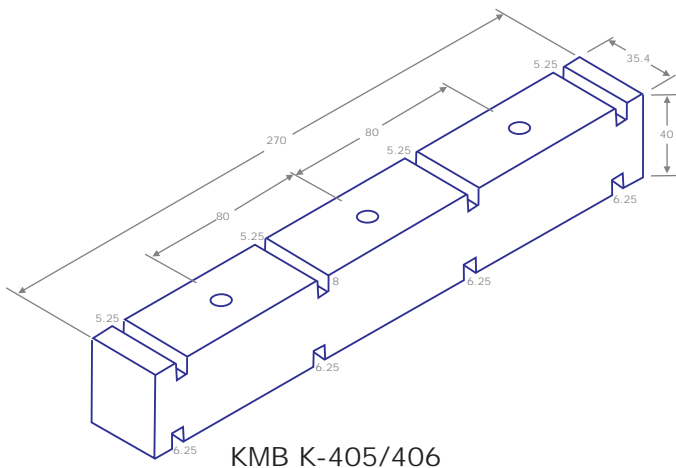
KMB K-906/611



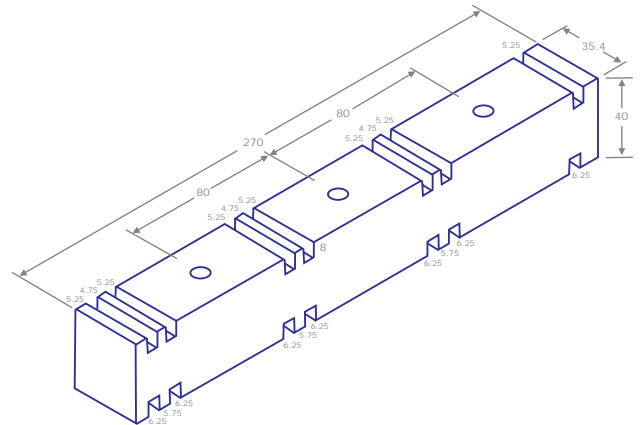
KMB K-614/611



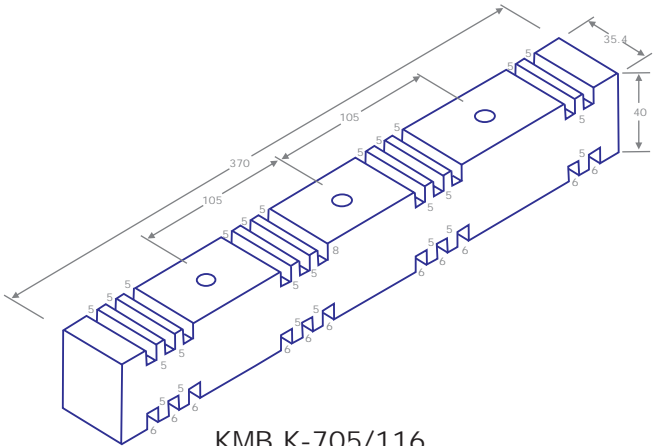
KMB K-614/309



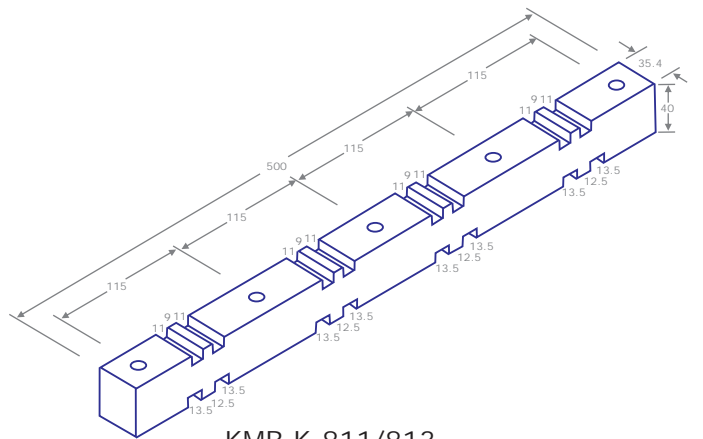
KMB K-405/406



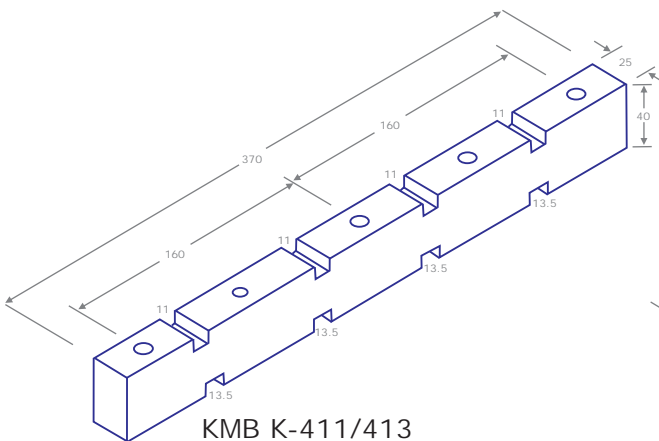
KMB K-705/305



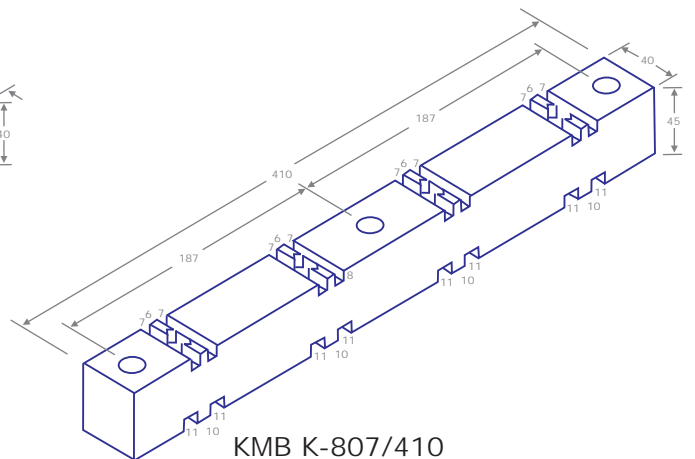
KMB K-705/116



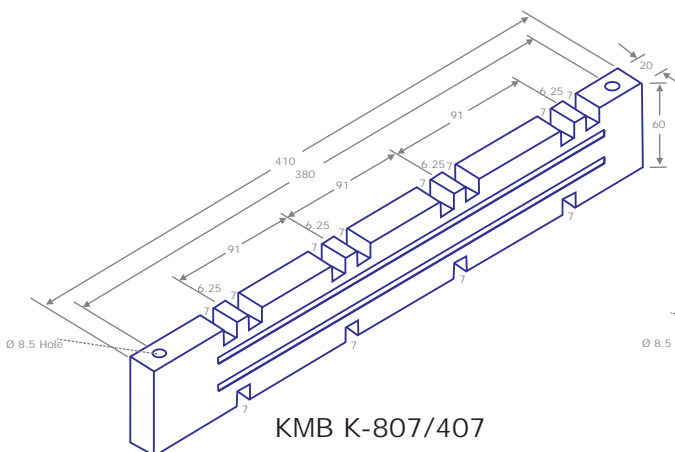
KMB K-811/813



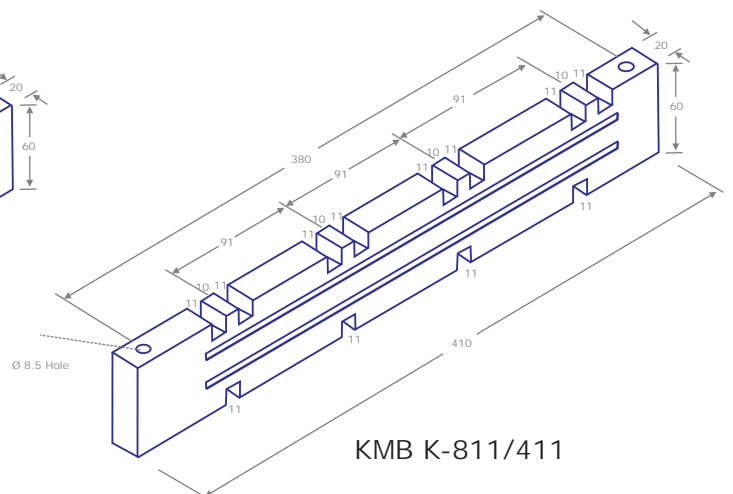
KMB K-411/413



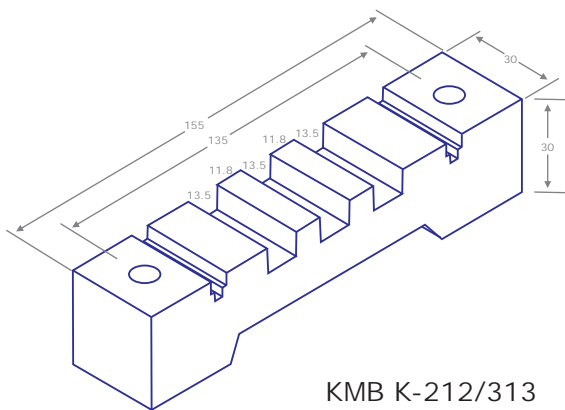
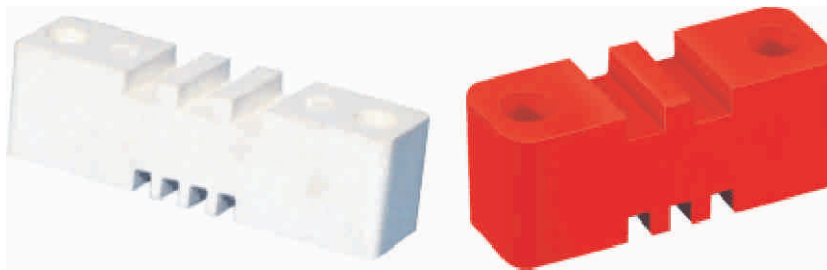
KMB K-807/410



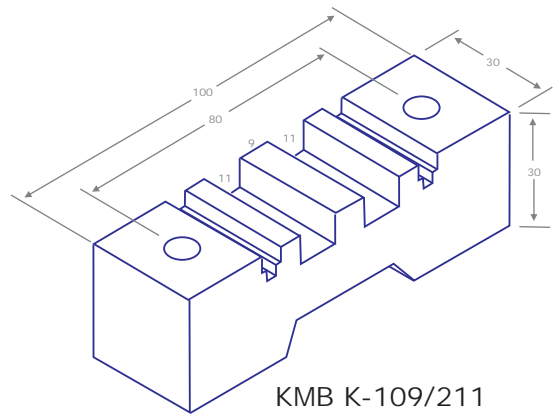
KMB K-807/407



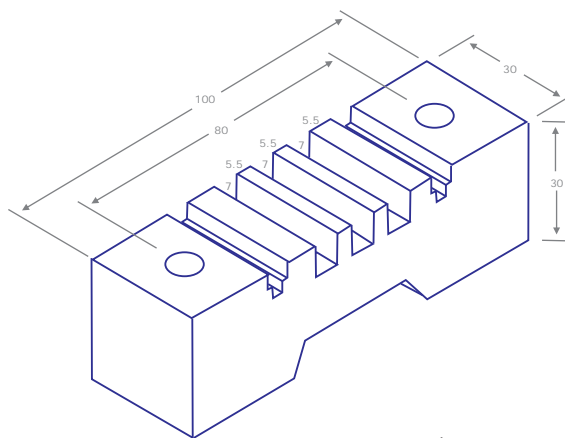
KMB K-811/411



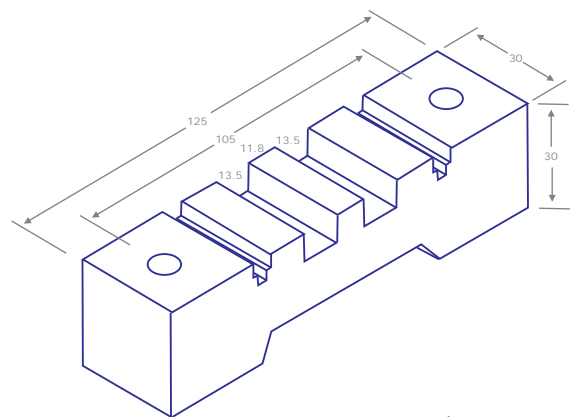
KMB K-212/313



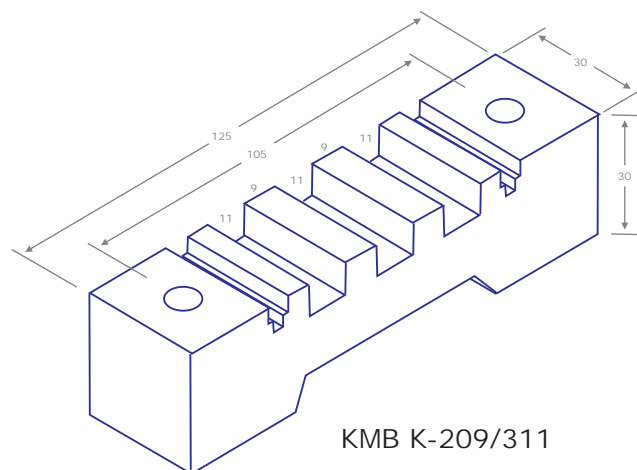
KMB K-109/211



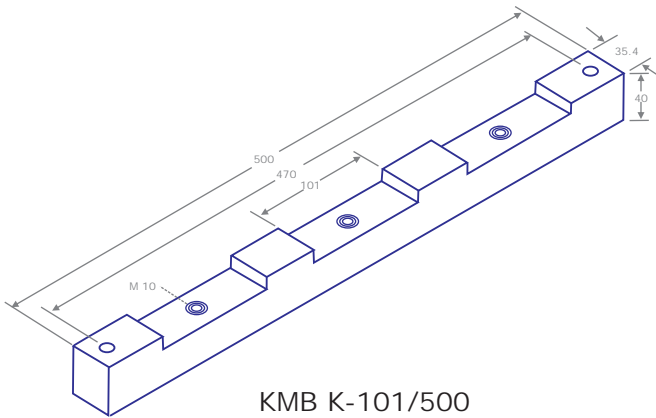
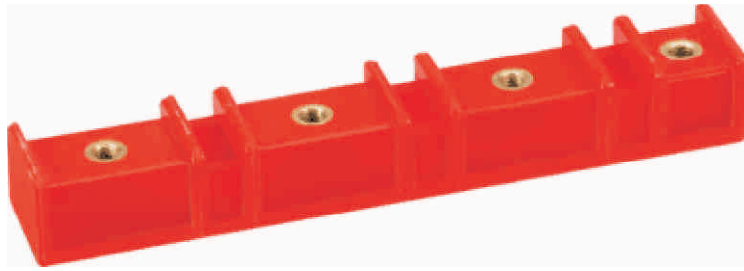
KMB K-305/307



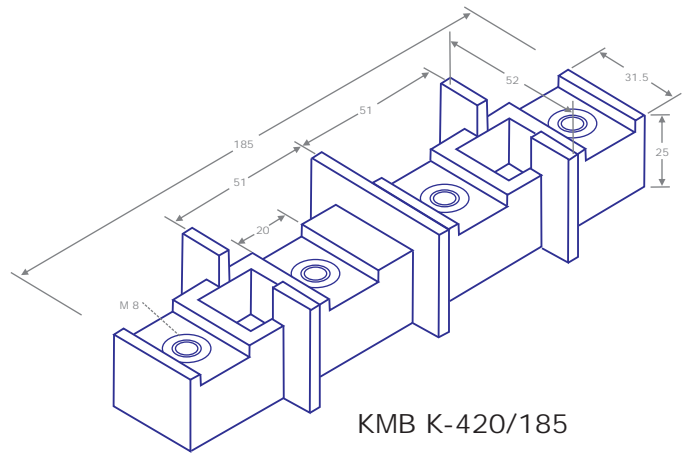
KMB K-112/213



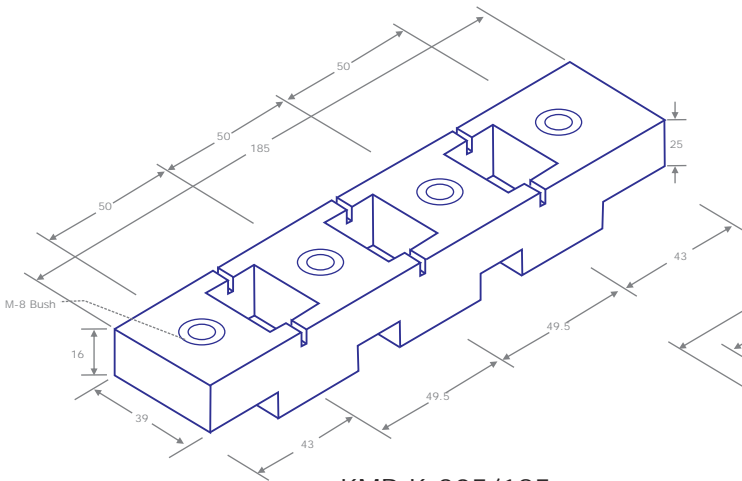
KMB K-209/311



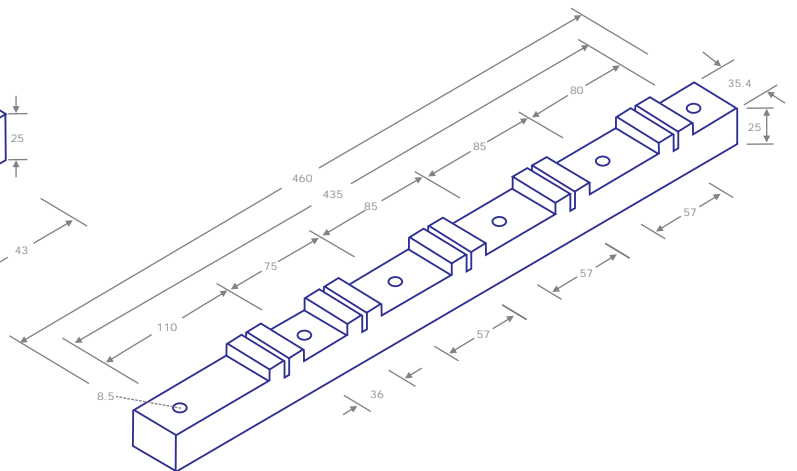
KMB K-101/500



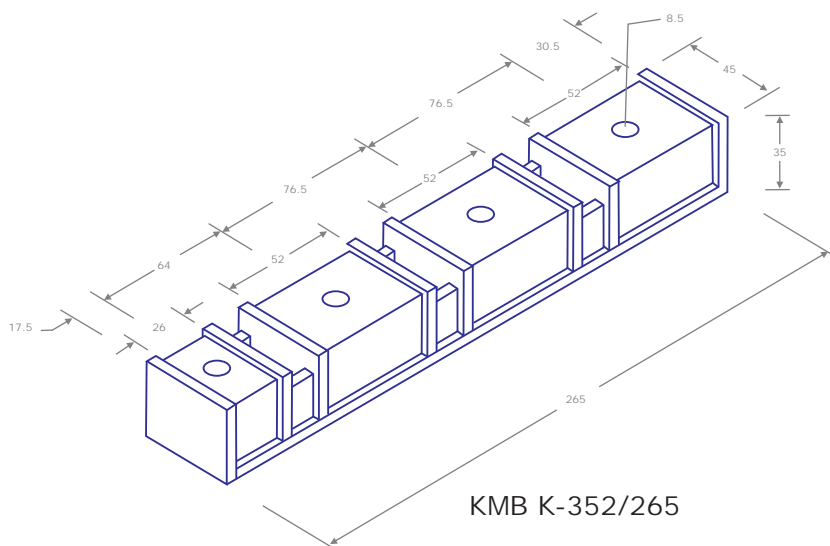
KMB K-420/185



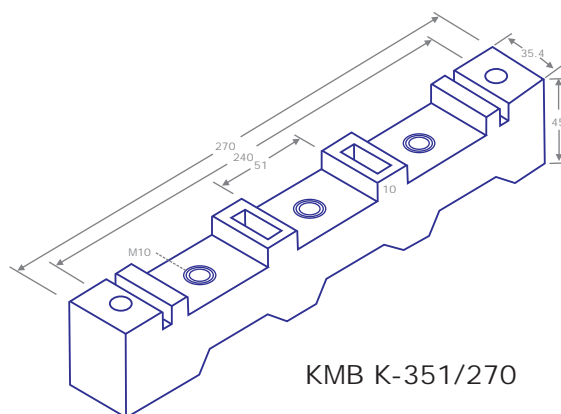
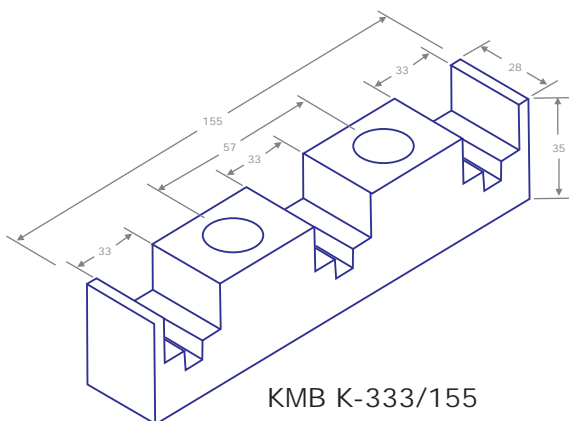
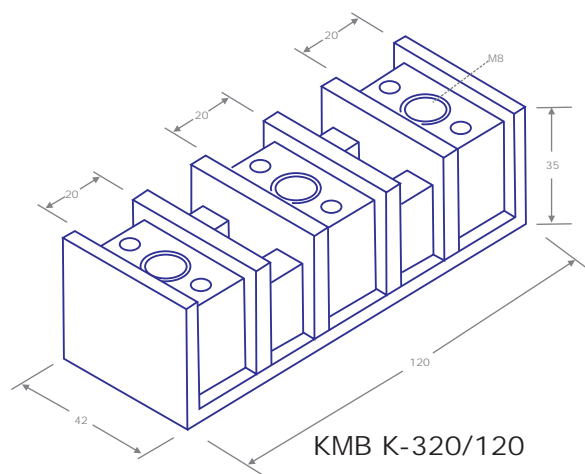
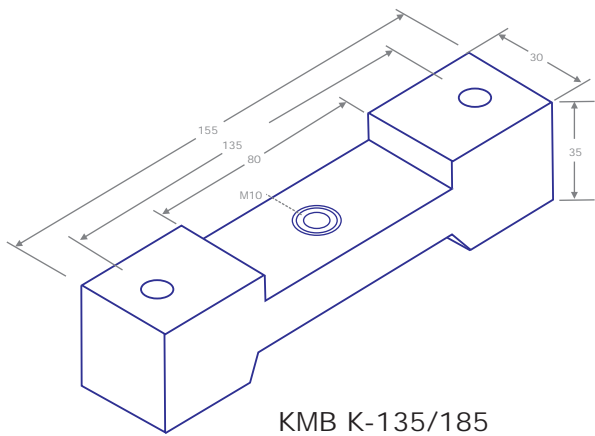
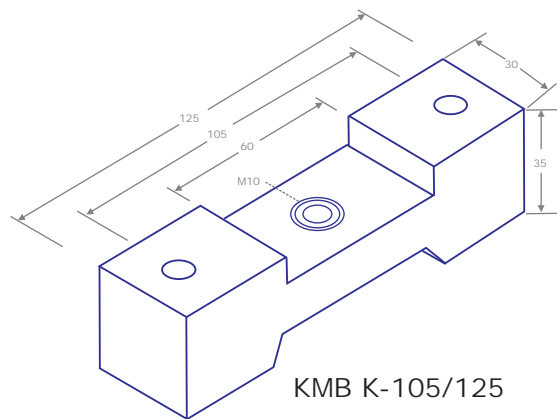
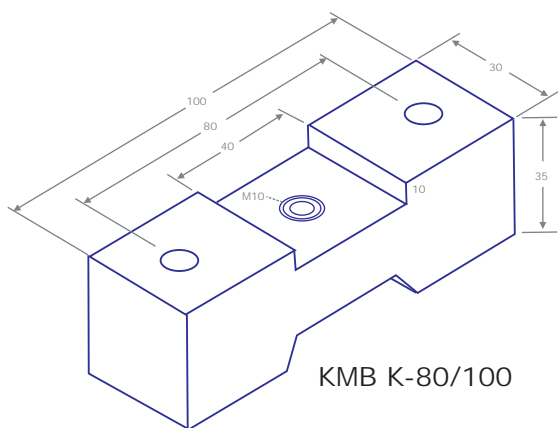
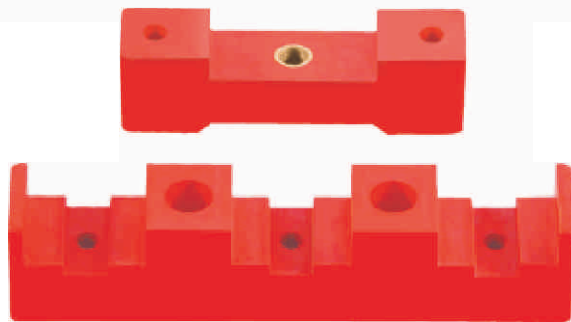
KMB K-305/185



KMB K-285/460

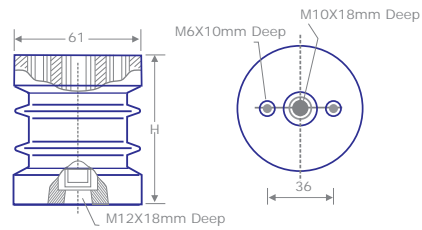


KMB K-352/265

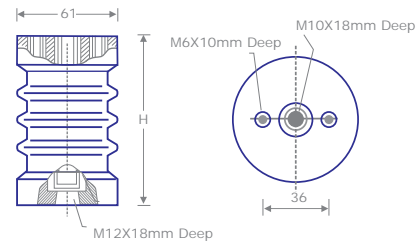


High Tension Post Type Insulators

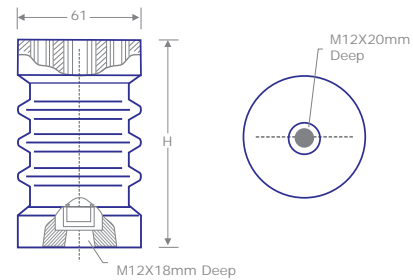
Rating	KAM code	Dia	H	No. of Ribs	Brass Bush Sizes
3.3 KV	KMB-HT3.3	61	75	2	M12X18 M10X18
Material - DMC					M6X10



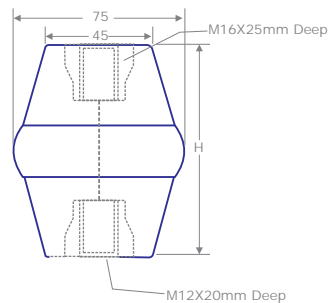
Rating	KAM code	Dia	H	No. of Ribs	Brass Bush Sizes
6.6 KV	KMB-HT6.6	61	90	3	M12X18 M10X18
Material - DMC					M6X10



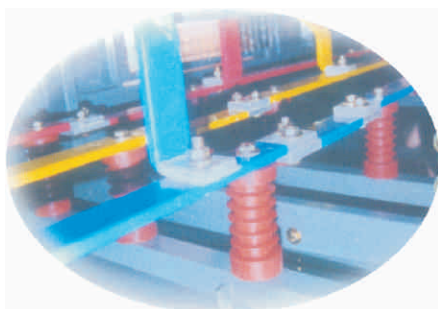
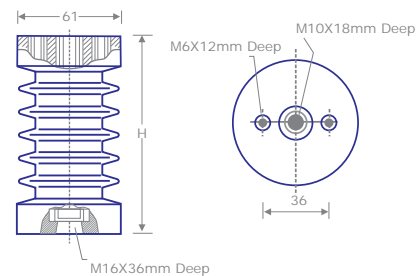
Rating	KAM code	Dia	H	No. of Ribs	Brass Bush Sizes
6.6 KV	KMB-HT6.6S	61	90	3	M12X18 on both sides
Material - DMC					



Rating	KAM code	Dia	H	No. of Ribs	Brass Bush Sizes
6.6 KV	KMB-HT6.6	40/80	75	None	M16X25 M12X25
Material - DMC					

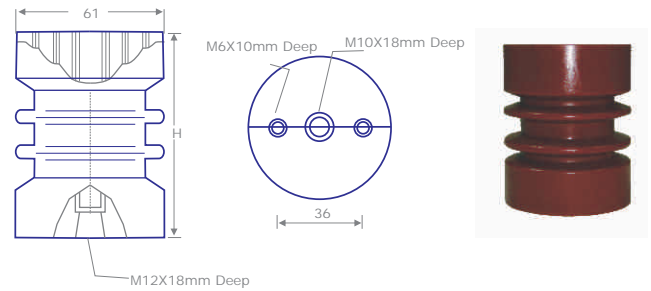


Rating	KAM code	Dia	H	No. of Ribs	Brass Bush Sizes
11 KV	KMB-HT11	61	130	5	M16X36 M10X18
Material - DMC					M6X12mm

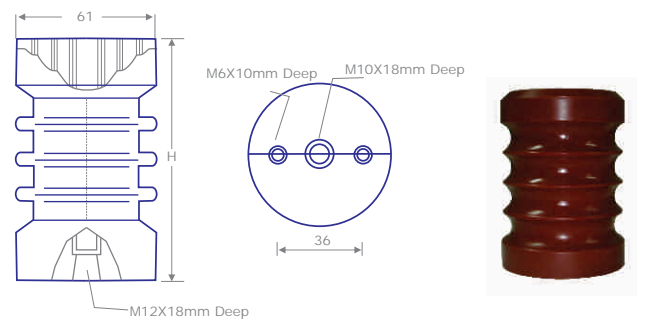


Epoxy Resin Cast Insulator

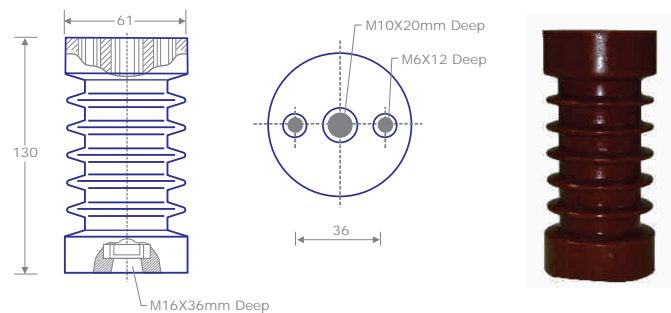
Rating	KAM code	Dia	H	No. of Ribs	Brass Bush Sizes
3.3 KV	KMB-ERC3.3	61	75	2	M12X18 M10X18
Creepage - 90 mm (minimum)					M6X10



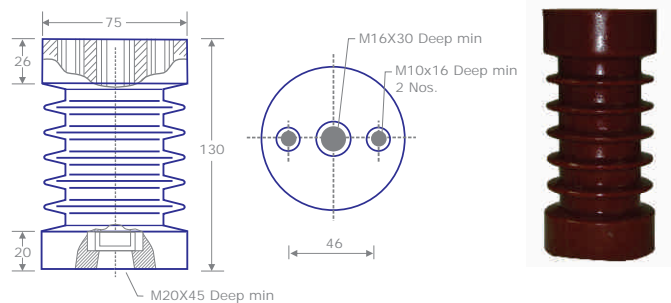
Rating	KAM code	Dia	H	No. of Ribs	Brass Bush Sizes
6.6 KV	KMB-ERC6.6	61	90	3	M12X18 M10X18
Creepage - 130 mm (minimum)					M6X10



Rating	KAM code	Dia	H	No. of Ribs	Brass Bush Sizes
11 KV	KMB-ERC11	61	130	5	M16X36 M10X18
Creepage - 175 mm (minimum)					M6X12mm

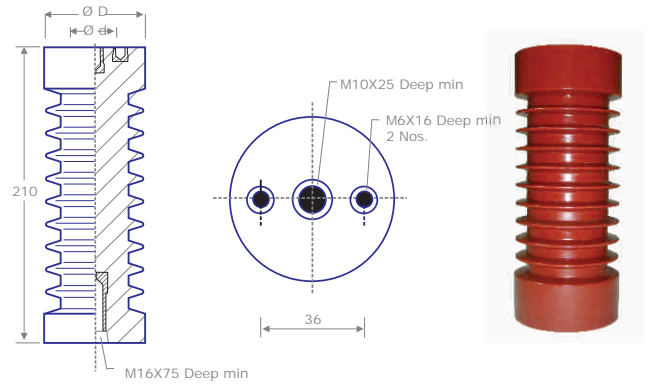


Rating	KAM code	Dia	H	No. of Ribs	Brass Bush Sizes
11 KV	KMB-ERC11S	75	130	5	M16X35 M10X18
Creepage - 185 mm (minimum)					M6X12mm

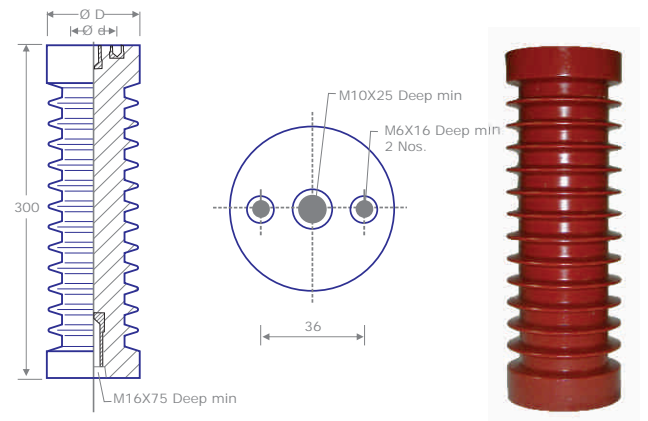


Epoxy Resin Cast Insulator

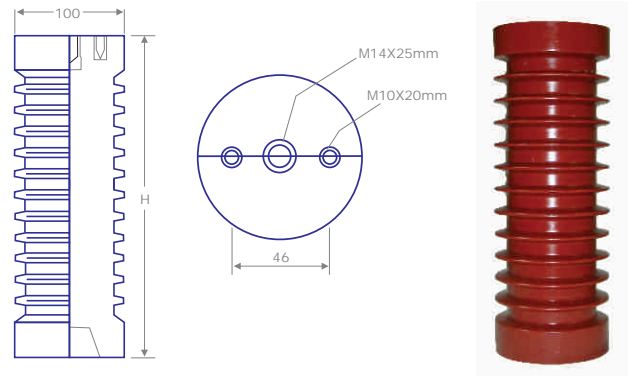
Rating	KAM code	Dia	H	No. of Ribs	Brass Bush Sizes
22 KV	KMB-ERC22	70	210	9	M16X55 M10X25
Creepage - 280 mm (minimum)					M6X16 (2nos.)



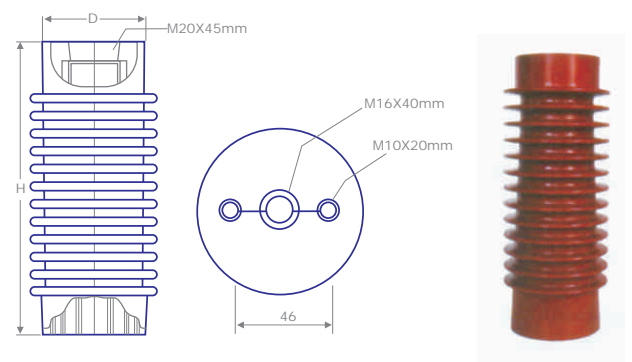
Rating	KAM code	Dia	H	No. of Ribs	Brass Bush Sizes
33 KV	KMB-ERC33	80	300	12	M16X75 M10X25
Creepage - 410 mm (minimum)					M6X16 (2nos.)



Rating	KAM code	Dia	H	No. of Ribs	Brass Bush Sizes
33 KV	KMB-ERC33S	100	300	11	M24X55 M14X25
Creepage - 500 mm (minimum)					M10X20 (2nos.)



Rating	KAM code	Dia	H	No. of Ribs	Brass Bush Sizes
33 KV	KMB-ERC33W	98/108	310	12	M20X75 M16X40
Creepage - 518 mm (minimum)					M10X16 (2nos.)



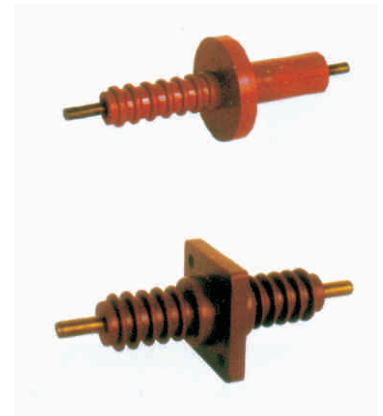
LV & HV Bushing

M/F Bushing (Lower & Upper Part)

KAM code	Base Dia	Top Dia	H	Bore inner Dia	Bore outer Dia
KMB-LV 20	20	13	5+15	6	12
KMB-LV 24	24	15	6+12	6.2	3
KMB-LV 28	28	15	8+20	8.2	16
KMB-LV 33	33	22	8+30	11	21.5
KMB-LV 33S	33	25	10+30	13	23
KMB-LV 40	40	33	10+32	11	27
KMB-LV 40S	40	33	10+32	13	27



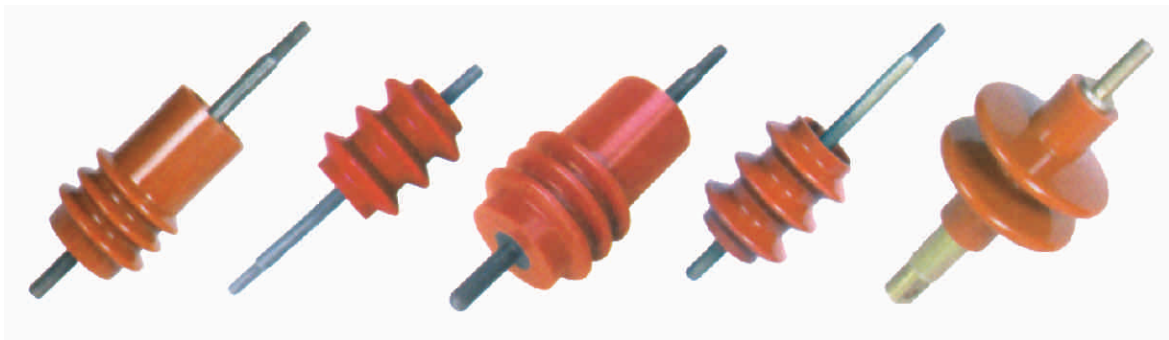
High Voltage Transformer Bushing



Low Voltage Transformer Bushing



Epoxy Resin Cast Drive Insulators



SF6 Circuit Breaker Interrupter Housings

Housing for SF6 Contact Assemblies in 11, 22, 33 KV Circuit Breaker

11KV

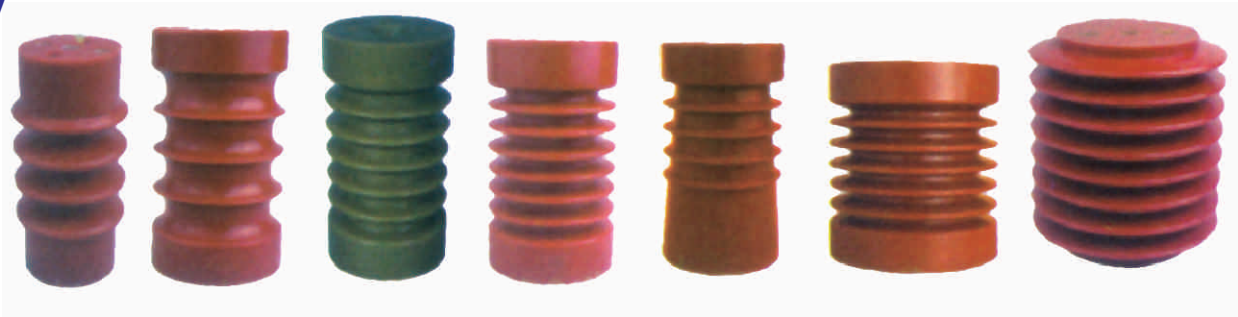


22KV



Epoxy Resin Cast Support Insulators

11 KV



22 KV



33 KV



66 KV



Technical Specifications

PROPERTIES	UNITS	TEST METHODS (ASTM)	VALUES		
			SMC	DMC	EPOXY
PHYSICAL					
Specific Gravity		D-792	1.7	1.9	1.6-2.0
Glass Contents	%	N.A.	25	15	-
Water Absorption (24hrs)	%	D-570	0.2	0.15	0.04-0.1
MECHANICAL					
Tensile Strength	Kgf/Cm ²	D-638	700	400	750-400
Flexural Strength	Kgf/Cm ²	D-790	1550	900	800
Compressive Strength	Kgf/Cm ²	D-695	1800	1500	1600
Impact Strength Izod	J/m	D-265	600	250	-
ELECTRICAL					
Dielectric Strength	KV/mm	D-149	12	10	13
Tracking Index	Volts	BS-5901	+600	+600	+600
ARC Resistance	Secs	D-495	+180	+180	+180
FLAMMABILITY		UL-94	Self Extinguishing	V-O	Self Extinguishing

TOLERANCE CHART	
DIM (mm)	TOLERANCE (+)
1-15	0.25 mm
16-50	0.5 mm
51-100	1.0 mm
101-250	1.5 mm
250 & above	2 mm

THE ABOVE VALUES ARE FOR THE STANDARD FORMULA FOLLOWED BY THE COMPANY BUT WE HAVE FACILITIES FOR MANUFACTURING SMC, DMC & EPOXY ACCORDING TO THE CUSTOMER REQUIREMENTS.

(SMC = SHEET MOULDING COMPOUND)
(DMC = DOUGH MOULDING COMPOUND)

ALL DATA GIVEN IN THIS CATALOGUE HAS BEEN DETERMINED CAREFULLY AT THE COMPANY'S TEST LAB. WITH THE VARIETY OF PURPOSE FOR WHICH THE PRODUCTS ARE USED, AND THE METHODS AND APPLICATION TECHNIQUES EMPLOYED, HOWEVER THE DATA AND INFORMATIONS ARE GIVEN ONLY AS A GUIDE, AND ARE NOT BINDING. NO GUARANTEE OF THEIR AUTHENTICITY CAN THEREFORE BE ASSUMED IN ALL SITUATIONS AND THE COMPANY RESERVES THE RIGHT TO MODIFY FEATURES WITHOUT PRIOR NOTICE IN VIEW OF CONTINUED IMPROVEMENTS.

